



reddot award 2016  
winner

## Higher Revenue

- High efficiency inverter topology, Max. Efficiency 98.6%, European Efficiency 98.0%

## Simple & Easy

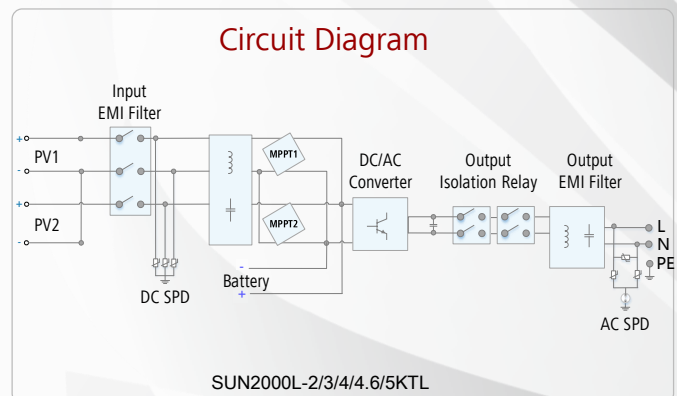
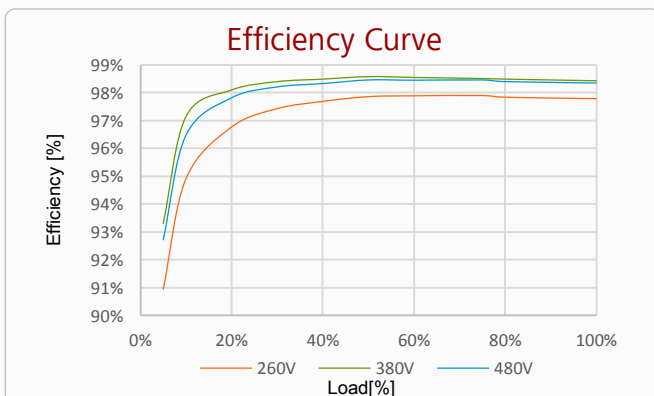
- 10.6kg, allows one person simple installation
- Optimized AC connector for quick wiring
- Supports one-click inverter configuration

## Battery Ready

- Integrated energy storage interface

## Safe & Reliable

- IP65, Natural cooling
- Integrated lightning protection for both DC and AC



# SUN2000L-2/3/4/4.6/5KTL

Technical Specification	SUN2000L-2KTL	SUN2000L-3KTL	SUN2000L-4KTL	SUN2000L-4.6KTL	SUN2000L-5KTL
<b>Efficiency</b>					
Max. efficiency	98.4%	98.5 %	98.6 %	98.6 %	98.6 %
European weighted efficiency	97.0 %	97.6 %	97.9 %	98 %	98 %
<b>Input</b>					
Recommended max. PV power	2660 Wp	3990 Wp	5400 Wp	6210 Wp	6750 Wp
Max. input voltage	600 V				
Operating voltage range <sup>1</sup>	90 V~ 600 V				
Start-up voltage	120 V				
Full power MPPT voltage range	120V~480 V	160 V~480 V	210 V~480 V	260 V~480 V	260 V~480 V
Rated input voltage	380 V				
Max. input current per MPPT	11 A				
Number of MPP trackers	2				
Max. number of inputs per MPPT	1				
<b>Output</b>					
Grid connection	Single phase				
Rated output power	2000 W	3000 W	4000 W	4600 W	5000 W <sup>2</sup>
Maximum apparent power	2200 VA	3300 VA	4400 VA	5000 VA <sup>3</sup>	5500 VA <sup>4</sup>
Rated output voltage	220 V / 230 V / 240 V				
Rated AC grid frequency	50 Hz / 60 Hz				
Maximum output current	10 A	15 A	20 A	23 A <sup>5</sup>	25 A <sup>5</sup>
Adjustable power factor	0.8 leading ... 0.8 lagging				
Max. total harmonic distortion	≤ 3 %				
<b>Protection</b>					
Anti-Islanding protection	Yes				
DC reverse polarity protection	Yes				
Insulation monitoring	Yes				
DC lightning protection	Yes				
AC lightning protection	Yes				
Residual current monitoring	Yes				
AC overcurrent protection	Yes				
AC short-circuit protection	Yes				
AC over-voltage protection	Yes				
Over-heat protection	Yes				
<b>General Data</b>					
Operating temperature range	-30 ~ +60 °C ( Derating above 45°C @ Rated output power )				
Relative operating humidity	0 %RH~100 %RH				
Operating altitude	0-4000 m ( Derating above 2000m )				
Cooling	Natural Convection				
Display	LED Indicators				
Communication	RS485, WLAN				
Weight (incl. mounting bracket)	10.6 kg				
Dimension (incl. mounting bracket)	375X375X161.5 mm				
Degree of protection	IP65				
<b>Battery Compatibility</b>					
Battery	LG Chem RESU 7H_R / 10H_R				
Voltage range	350~450 Vdc				
Max. current	10 A				
Communication	RS485				
<b>Standards Compliance</b>					
Safety	EN/IEC 62109-1, EN/IEC 62109-2				
Grid connection standards	G83/2,G59/3, EN 50438, CEI 0-21, VDE-AR-N-4105, UTE C 15-712-1, AS 4777				

\*1. Only applicable for PV string. The maximum input voltage and operating voltage upper limit will be reduced to 495 V when inverter connects and works with battery.

\*2. AS4777:4990W. \*3. VDE-AR-N 4105:4600VA / AS4777:4990VA. \*4. AS4777:4990VA. \*5. AS4777:21.7A.